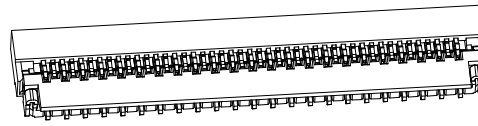
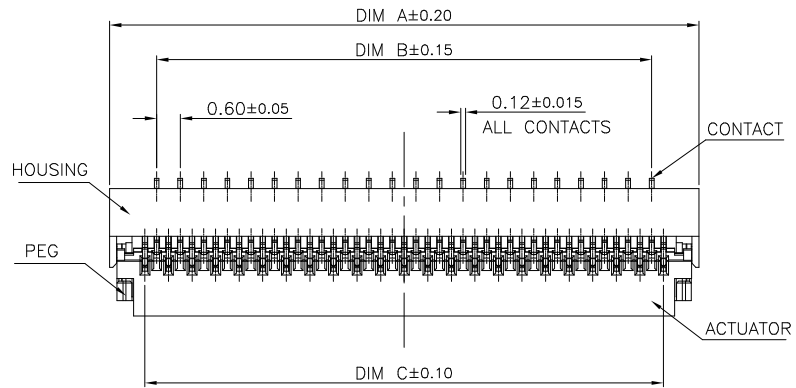
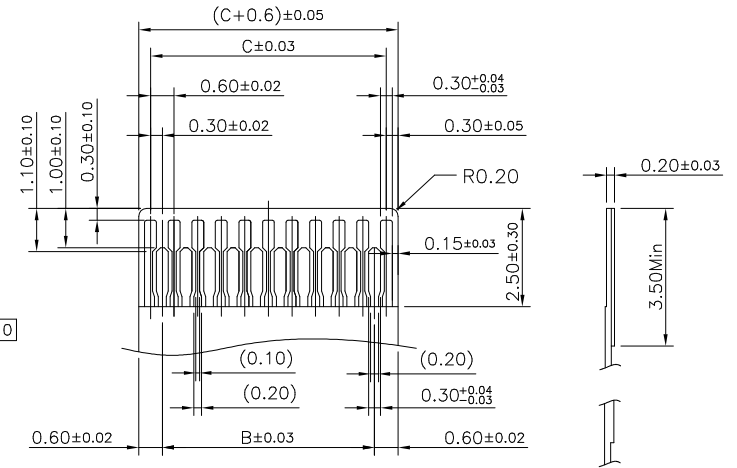
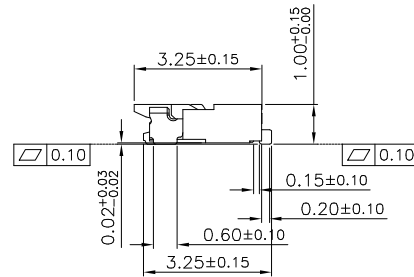
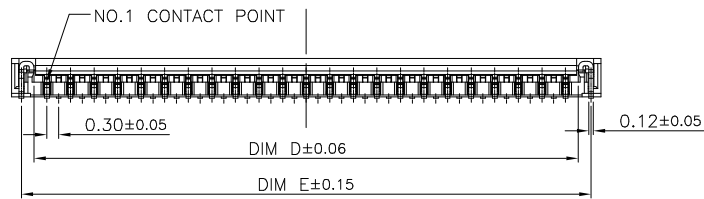


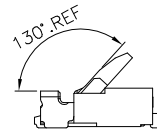
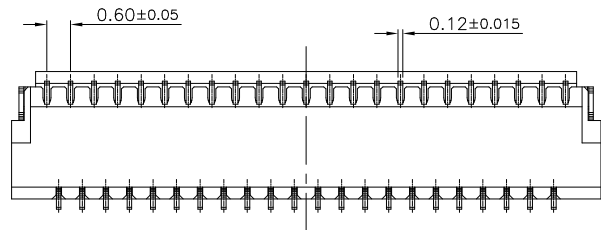
REV.	ECN.NO.	MODIFY.CONTENT	DATE
A		FIRST VERSION	06/11'20



3D VIEW



Applicable FPC



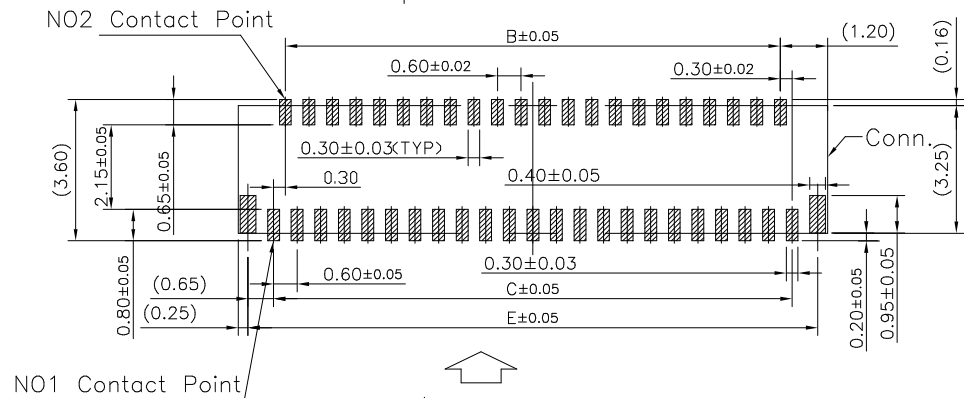
NOTES:

- MATERIAL
 - HOUSING:LCP UL94-V0,COLOR:NATURE
 - CAP:LCP UL94-V0,COLOR:BLACK
 - CONTACT: PHOSPHOR BRONZE C5191.
 - LEGS: PHOSPHOR BRONZE C5191.
- PLATING
 - CONTACT:GOLD PLATED 2u" MIN OVER NICKEL 40u" MIN.
 - LEGS:MATTE TIN PLATED 80u" MIN OVER NICKEL 40u" MIN.
- RATING:
 - OPERATING VOLTAGE: 30V AC/DC.
 - CURRENT RATING: 0.2A AC/DC.
 - OPERATING TEMPERATURE:-55~+85°.
- PART NO. DESCRIPTION:

1F03010 ** C * 3-**

SERIES NO. _____
 PLATING U=GOLD 2u" MIN (CONTACT AREA)
 HF=HALOGEN FREE
 00=ROHS
 3=REEL PACKING
 0=NATURE;1=BLACK
 C=BENDING SMT
 PIN NO. _____

Number of Contacts	Dimension				
	A	B	C	D	E
13	5.40	3.00	3.60	4.30	5.00
15	6.00	3.60	4.20	4.90	5.60
17	6.60	4.20	4.80	5.50	6.20
19	7.20	4.80	5.40	6.10	6.80
21	7.80	5.40	6.00	6.70	7.40
23	8.40	6.00	6.60	7.30	8.00
25	9.00	6.60	7.20	7.90	8.60
27	9.60	7.20	7.80	8.50	9.20
29	10.20	7.80	8.40	9.10	9.80
31	10.80	8.40	9.00	9.70	10.40
33	11.40	9.00	9.60	10.30	11.00
35	12.00	9.60	10.20	10.90	11.60
37	12.60	10.20	10.80	11.50	12.20
39	13.20	10.80	11.40	12.10	12.80
41	13.80	11.40	12.00	12.70	13.40
45	15.00	12.60	13.20	13.90	14.60
49	16.20	13.80	14.40	15.10	15.80
51	16.80	14.40	15.00	15.70	16.40
57	18.60	16.20	16.80	17.50	18.20
61	19.80	17.40	18.00	18.70	19.40
67	21.60	19.20	19.80	20.50	21.20
71	22.80	20.40	21.00	21.70	22.40
73	23.40	21.00	21.60	22.30	23.00

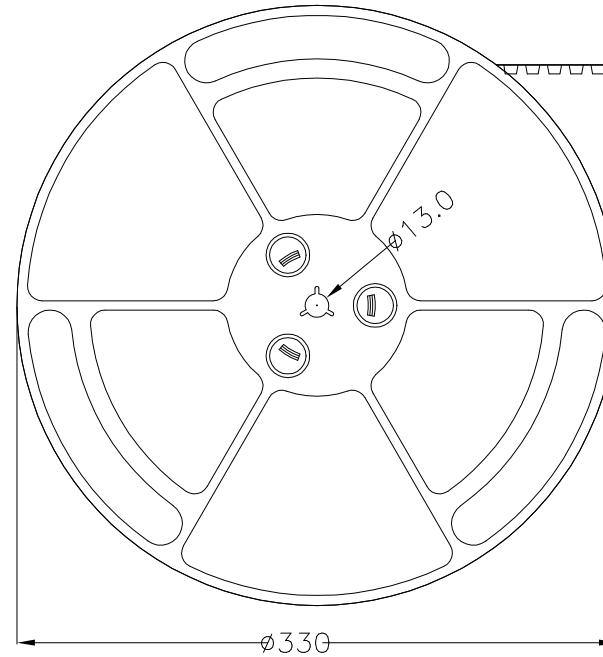
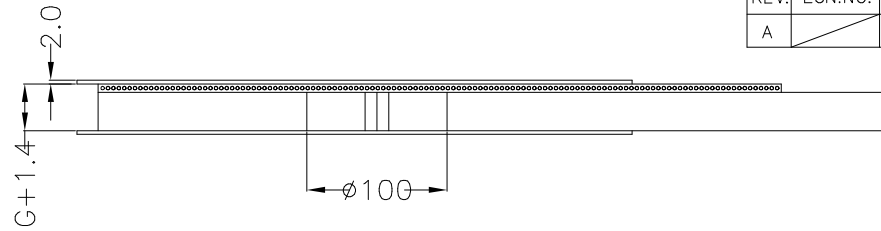


FPC/FFC Insert Direction
Recommended P.C.B Layout

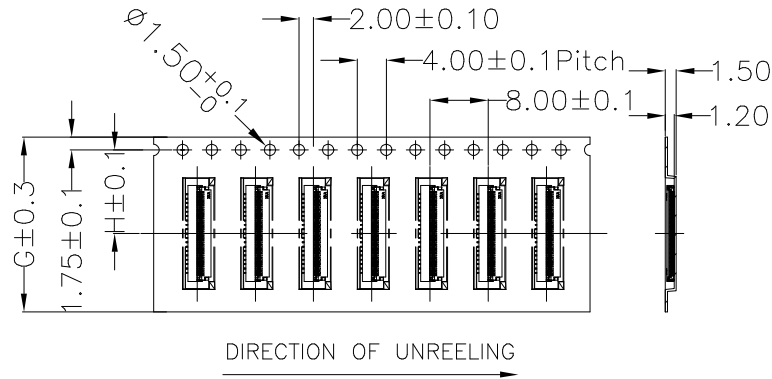
注：此文件为双方检验的唯一标准
This document is the only standard tested by both parties.

GENERAL TOLERANCE		DRAWN	Qinwei Sun	07.27'20	SCALE	PART NO.	1F03010***C0*--**	
X.	±0.30	x.*±3'	CHECKED	Shengjie Chu	07.27'20	1/1	TITLE	0.3P H1.00 FPC CONN.
X.X	±0.25	.x *±2'	APPROVED	Cunfa Lai	07.27'20	UNITS	mm	CUSTOMER DRAWING
X.XX	±0.20		File NO.	F0301001S				
X.XXX	±0.10		REV.					
SHEET	1/2	Q'TY	1	A	蘇州祥龍嘉業電子科技股份有限公司 Goldenconn Electronics Technology Co.,LTD			

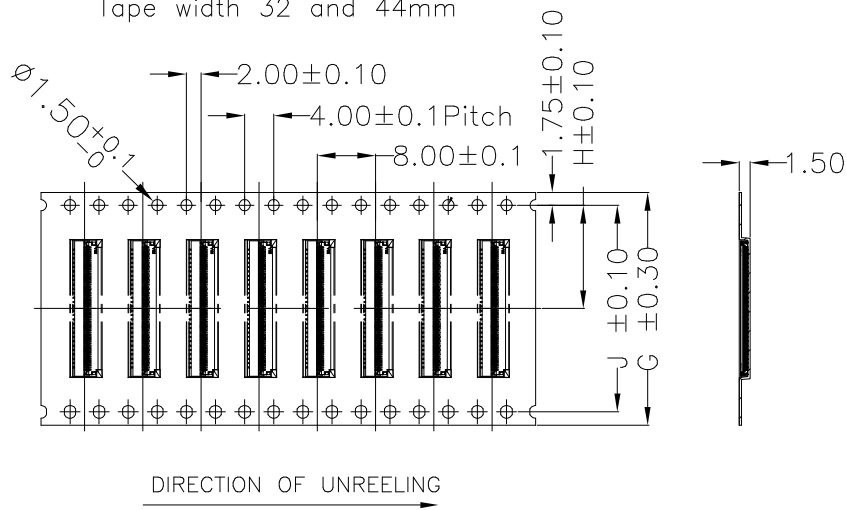
REV.	ECN.NO.	MODIFY.CONTENT	DATE
A		初版发行	05/26-20



Tape width 16 and 24mm



Tape width 32 and 44mm



No. of Contacts	DIM.		
	G	H	J
9 ∩ 25	16	7.5	—
27 ∩ 49	24	11.5	—
51	32	14.2	28.4

Notes:

- 1.PER REEL:5000pcs.
- 2.Material:Black Conductive Polystyrene Alloy
- 3.Thickness:0.3±0.05mm.
- 4.All dimensions meet EIA-481-C requirements.

GENERAL TOLERANCE		DRAWN	Qinwei Sun	07.27'20	SCALE	PART NO.	1F03010***CO*—**
X. ±0.30	x.'±3'	CHECKED	Shengjie Chu	07.27'20	1/1	TITLE	0.3P H1.00 FPC CONN.
X.X ±0.25	.x '±2'	APPROVED	Cunfa Lai	07.27'20	UNITS	mm	CUSTOMER DRAWING
X.XX ±0.20		File NO.	F0301001S				
X.XXX±0.10		REV.	蘇州祥龍嘉業電子科技股份有限公司 Goldenconn Electronics Technology Co.,LTD				
SHEET	2/2	Q'TY					

注：此文件为双方检验的唯一标准
This document is the only standard tested by both parties.